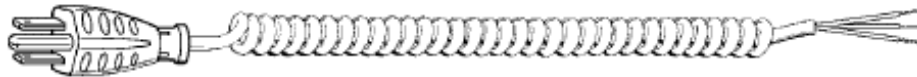




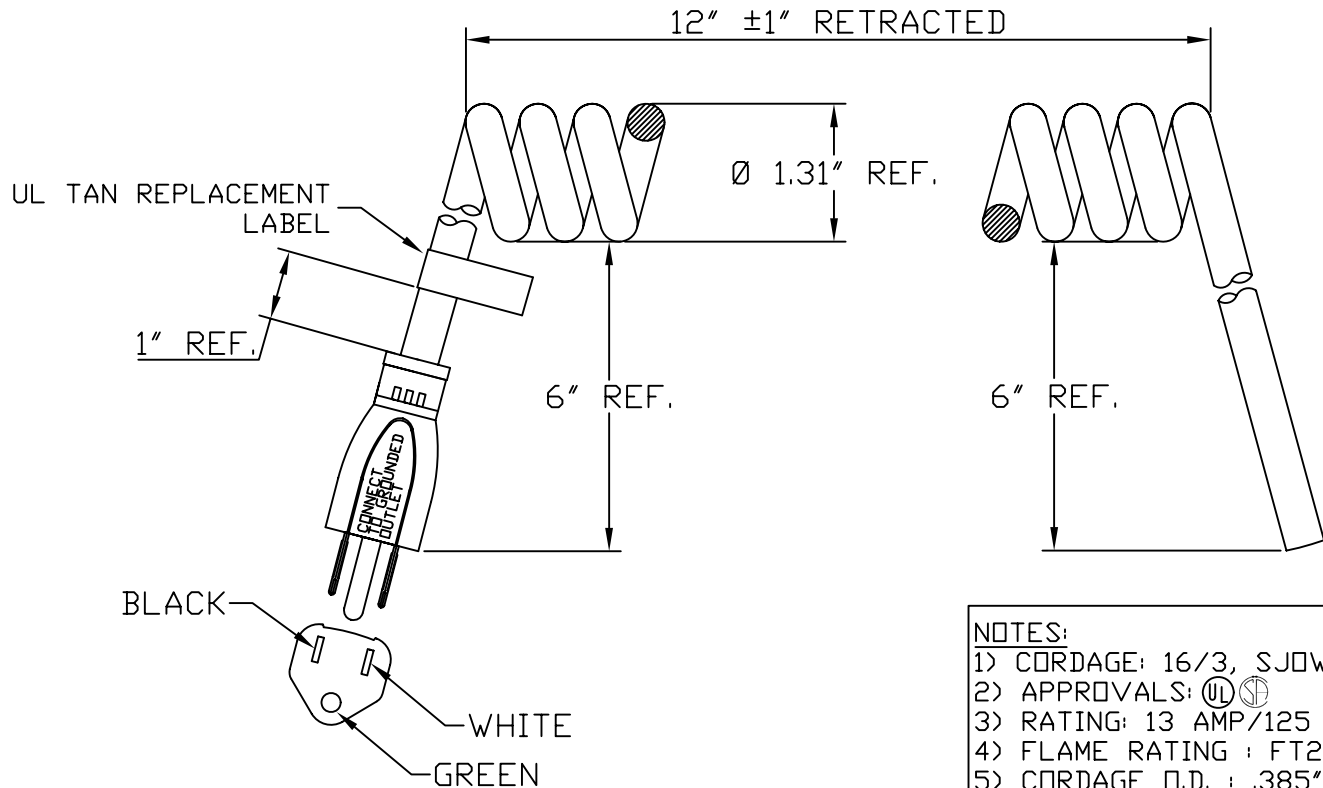
VOLEX

GROUP

Standard Cord Details: 17448 10 S2



Specifications	
Certifications	
Part Number	17448 10 S2
Connector Type	none
Plug Type	5-15P
Category	Rubber
Application	Non-Detachable
Plug Catalog No.	
Connector Catalog No.	
Cable	SJO AWG 16x3
Jacket Color	Black
Length in Feet	1' (RETRACTED)
Length in Meters	0.3
Temperature Rating	60 C
Packaging Units Per Carton	25
Color Coding	North America
Nominal OD in Inches	1.37
Nominal OD in Millimeters	9.4



NOTES:
 1) CORDAGE: 16/3, SJOW, 90°C, BLACK
 2) APPROVALS:
 3) RATING: 13 AMP/125 VOLTS
 4) FLAME RATING : FT2
 5) CORDAGE O.D. : .385" (REF.)
 6) PACKAGING: 25 BAGGED CORDS PER CARTON
 7) ALL DIMENSIONS IN inches.

VOLEX RESERVES THE RIGHT TO ALTER NON-CRITICAL DIMENSIONS WITHOUT NOTICE.

REV	DESCRIPTION	DATE
1	C.U.D - NEW RELEASE	9/10/07

	<input checked="" type="checkbox"/> Indianapolis, IN <input type="checkbox"/> Conover, N.C. <input type="checkbox"/> Freemont, CA <input type="checkbox"/> Aguascalientes, MX <input type="checkbox"/> Tijuana, Mexico <input type="checkbox"/> Hermosillo, MX <input type="checkbox"/> Clinton, AR <input type="checkbox"/> Kanata, Canada	Proprietary Notice: This document is the property of Volex Incorporated. The information contained herein is not to be disclosed to anyone without the express written consent of Volex Inc.	MATERIAL: PLUG: PVC, BLACK JACKET: PVC, BLACK ROHS COMPLIANT	SCALE: NOT TO SCALE	ECD: N/A	ITEM DESCRIPTION RETRACTILE - NORTH AMERICAN POWER SUPPLY CORD (1')		
	FINISH: JACKET: SMOOTH		TOLERANCE UNLESS OTHERWISE SPECIFIED .XXX ± .005 .XX ± .02 .X ± .03 FRACT. ± 1/32 ANGULAR ± 1/2°		APPROVED STC	DRAWN BY STC	DATE: 9/10/07	PART NO. 17448 10 S2